

# P-50iA™ Series

## Basic Description

FANUC Robotics' P-50iA is a compact robot engineered to provide a precise, reliable, and affordable solution for coating a variety of consumer goods including appliances and automotive components. Its small size is ideal for companies with floor space constraints. The P-50iA offers easy setup and maintenance, a large work envelope, and fast acceleration, resulting in minimized cycle times and lower production costs.

The design of the six-axis P-50iA is based on the success of nine generations of coating robots. It has a modular construction, is electric servo-driven, able to operate in hazardous environments, and is supported by our extensive service and parts network.

## P-50iA, The Solution for:

- General industrial coating
- Dispensing
- Lens coating
- Mask painting
- Space limitations

## Features and Benefits

- Floor, invert, and wall mounting permits versatility when unusual workpiece access is required.
- P-50iA/3L variant available for applications that require greater reach.
- Patented, production proven, hollow wrist and through arm hose routing provide a clean application environment.
- Grease fittings on all lubrication points allow for quick and easy maintenance.
- Absolute serial encoders eliminate the need for calibration at power-up.



- Patented purge system for operation in hazardous environments.
- Approved for use in hazardous locations; see specifications for details.
- Flexible field hose allows fast installation.
- Lifting fixture for easy installation of wall or ceiling mount. (Option)
- Large envelope capable of working on both sides of the robot.
- Narrow base minimizes booth space and impact to airflow.
- Handles a variety of applicators including conventional and electrostatic air spray guns and rotary atomizers.
- Patented purge system for operation in hazardous environments.
- Integrated micro valve color changer for short color change times and waste reduction. (Option)
- Able to use manifold-mount robot spray guns and rotary atomizer.
- ROBOGUIDE® PAINTPRO™ software is a user-friendly Windows®-based graphical programming interface for creating, viewing, editing and simulating robot programs. (Option)
- Extremely fast acceleration and deceleration motion results in faster cycle times.
- Line tracking and stationary applications.

## Process Advantages

- User-friendly ACCUFLOW™ closed-loop fluid delivery system automatically maintains programmed flow rates, providing consistent material delivery and high finish quality. (Option)
- Collision Guard™ monitors for unexpected interference to reduce machine and applicator

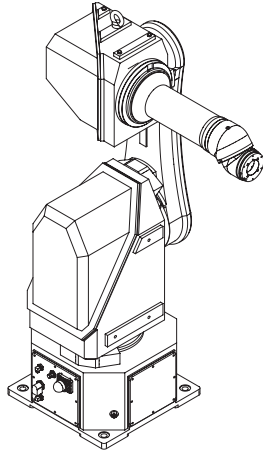
## Reliability and Maintenance Benefits

- Standard RV Drives
- Fully sealed drives
- Long lube cycle
- Designed for painting environment

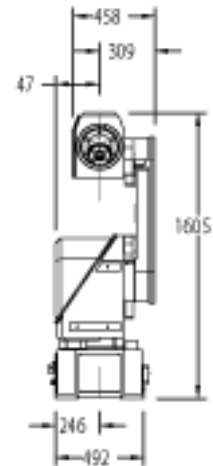
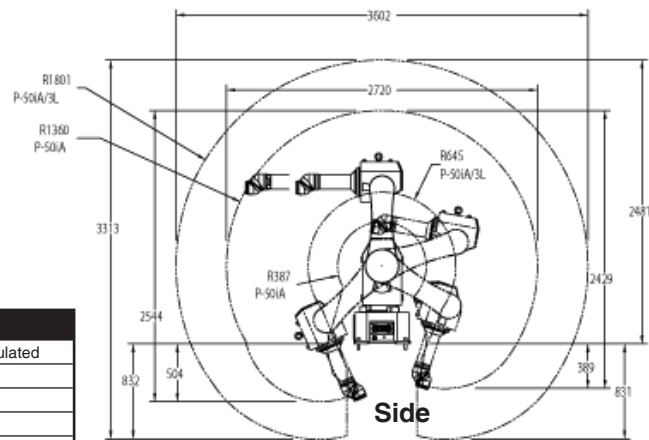
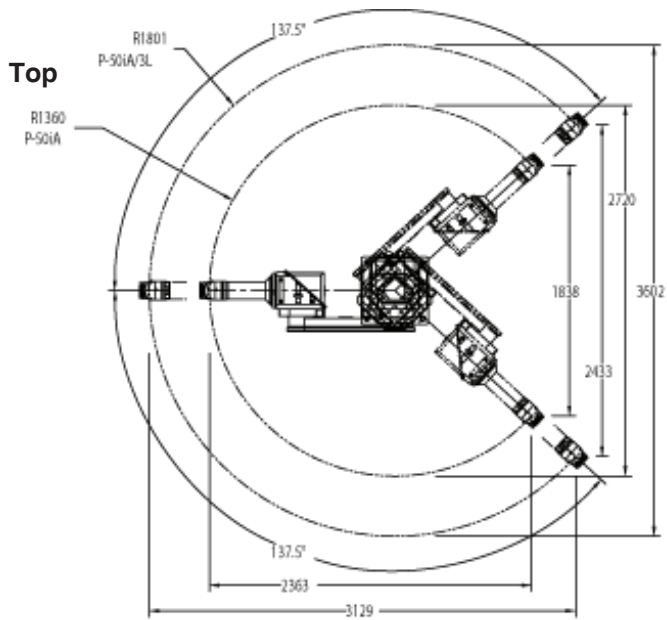
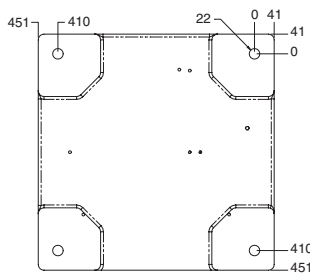
**FANUC**  
Robotics

# P-50iA Dimensions

## Isometric

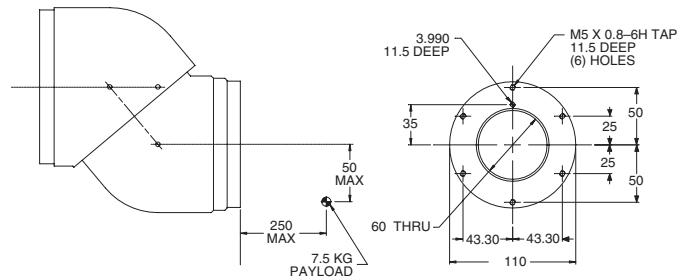


## Footprint



Front

## Wrist



## P50iA Specifications

Items		
Configuration	6-axis vertically articulated	
Axes	6	
Payload - wrist (kg)	up to 7.5	
Outer Arm Payload <sup>(A)</sup> (kg)	up to 5	
Reach (mm)	1360	
Static Repeatability (mm)	±.2	
Motion range (degrees)	J1	±137.5
	J2	±135
	J3	±147
	J4	
	J5	±540
	J6	
Motion speed (degrees/s)	J1	160
	J2	160
	J3	160
	J4	460
	J5	480
	J6	600
Coating speed (mm/sec.)	1500	
Drive Type	Electric AC servo motor	
Position Encoders	Absolute pulse encoders	
Mechanical Brakes	Axes 2, 3, (1, 4, 5 & 6 optional)	
Mechanical weight (kg)	249 (robot arm only)	
Mounting method	Floor, Wall <sup>(B)</sup> , Invert	
Installation environment		
Ambient Temperature (°C)	0 to 45	
Humidity	20-95% RH No condensation	
Vibration (m/s <sup>2</sup> )	Less than 0.5G	
Hazardous Location Certification	Class I, II, III Div. I Group C, D, E, F, G ATEX CE II 2 G c Ex ib px IIB T4 Ta=0°C to +45°C ATEX CE II 2 D c Ex pD 21 T135°C Ta=0°C to +45°C	

## Intelligent Robot Solutions

**FANUC Robotics America, Inc.**  
3900 W. Hamlin Road  
Rochester Hills, MI 48309-3253  
(248) 377-7000

Charlotte, NC  
(704) 596-5121

Toronto, Canada  
(905) 812-2300

Chicago, IL  
(847) 898-6000

Montréal, Canada  
(450) 492-9001

Cincinnati, OH  
(513) 754-2400

Aguaascalientes, Mexico  
52 (449) 922-8000

Los Angeles, CA  
(949) 595-2700

Sao Paulo, Brazil  
(55) (11) 3619-0599

For sales or technical information, call:  
**1-800-iQ-ROBOT**

Toledo, OH  
(419) 866-0788

marketing@fanucrobotics.com  
fanucrobotics.com

©2009 FANUC Robotics America, Inc. All rights reserved. FANUC ROBOTICS LITHO IN U.S.A. FRA-12/09



### Notes:

- (A) Mounted on top of elbow
- (B) Wall mount requires brakes on axis 1